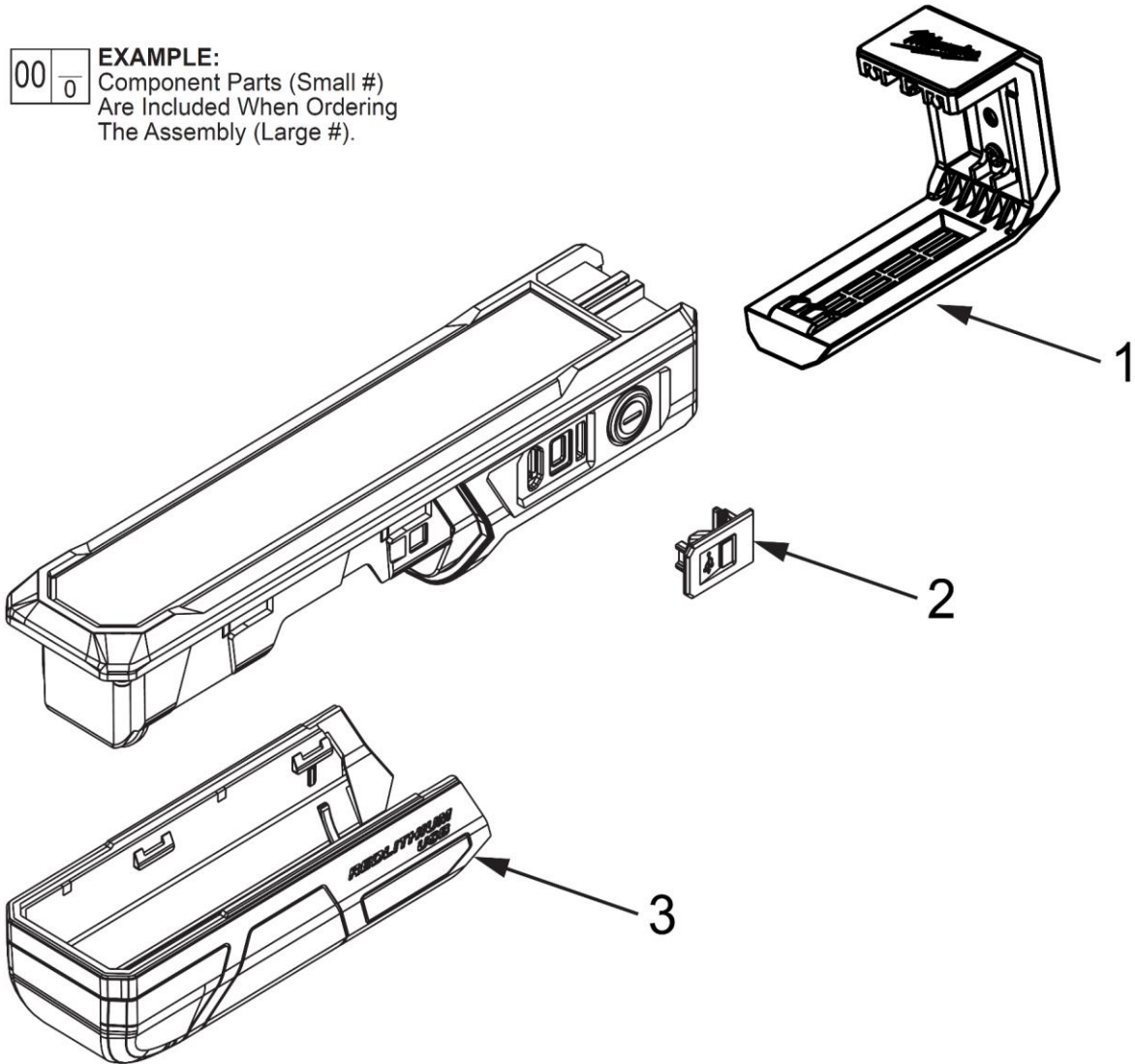


00 0 **EXAMPLE:**  
Component Parts (Small #)  
Are Included When Ordering  
The Assembly (Large #).



	<h1>L4 FL</h1> <p>SERVICE PARTS LIST</p>	<b>Bulletin Date:</b> <h2>Jan-18</h2>
	<p>TTI Model Number: 018 257 005</p> <p><b>REDLITHIUM USB PERSONAL FLOOD LIGHT</b></p>	<p><b>Starting Serial Number:</b></p> <p><b>VERSION A - K2017</b></p>

ITEM	PART NUMBER	PART DISCRIPTION	QTY (PCS)
1	016079002001	MAGNET CLIP	1
2	016079001003	USB COVER	1
3	016079001002	BATTERY COVER	1